



nold
OPEN
QUICK START GUIDE

Welcome to the smart world!

Congratulations for choosing Nold Open,
the most innovative gate opener device.

The Nold Open device is a wireless electronic accessory
to be used with smartphones to control electronic doors,
gates, and barriers.

Please read this User Guide carefully before
installing and using the product.

The logo for Nold Open consists of the word "nold" in a lowercase, rounded, green font, positioned above the word "OPEN" in a uppercase, sans-serif, green font.

nold
OPEN

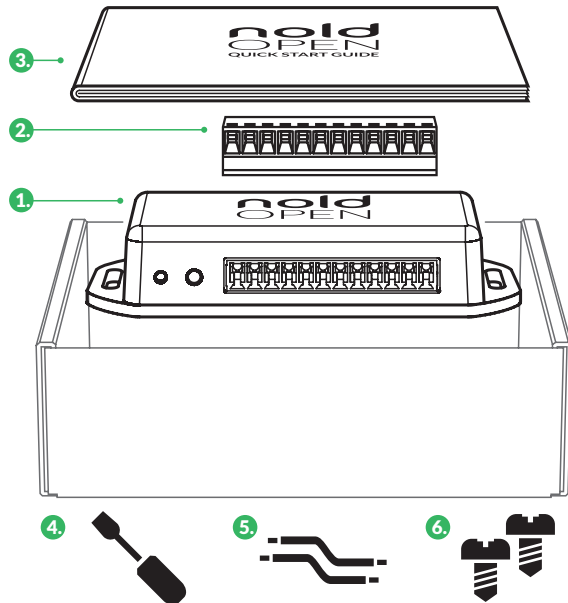
This box contains

1. Nold Open device
2. Connector
3. Quick start guide

Should any of these be missing from the package, please immediately contact the distributor by using any of the contact details that are outlined on the website of the product.

You will also need

4. Small screwdriver
5. Cables
6. Screws (optional)



1

OVERVIEW

Power off your existing automatic gate opener system either using the master switch or at the circuit breaker box. Review all the instructions before you start to ensure that there are no surprises during installation.

HARDWARE INFO

Nold Open features dual output that can be used either controlling two separate electronic gates/garage doors or controlling two functions of one electronic gate/garage door. These outputs are connected to the control input of the central electronics of the door / gate mover equipment(s).

There are two inputs on the device associated with each output. These can be used to sense the state of the corresponding gate/door.

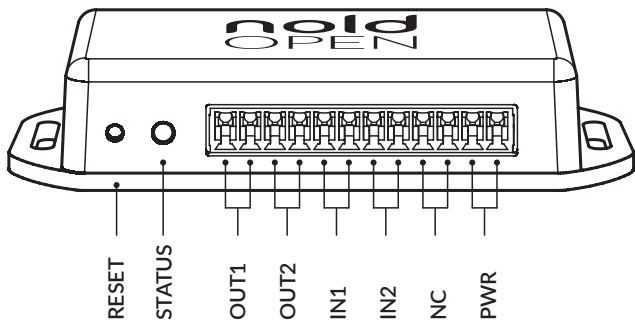
Low-voltage power supply is provided for the device from an external source, preferably from the power supply output installed for this purpose on the connected control panel. In the absence thereof, an external power supply unit must be provided for operating the device, whose output voltage is within the operational voltage range indicated in the technical specifications. The Nold Open power supply input is polarity-independent.

INSTALLATION INSTRUCTIONS

The installation section of the guide has been produced for trained personnel, so it is advised to have the installation work performed by a specialist recommended by the manufacturer and the distributor, or by the specialist who puts into operation your electronic door, gate or barrier.

Installation works must be completed and electric connections must be established by appropriate working methods and due diligence.

The manufacturer and distributor of Nold Open are not liable for any damage arising from incorrect, improper or unprofessional installation (putting into operation).

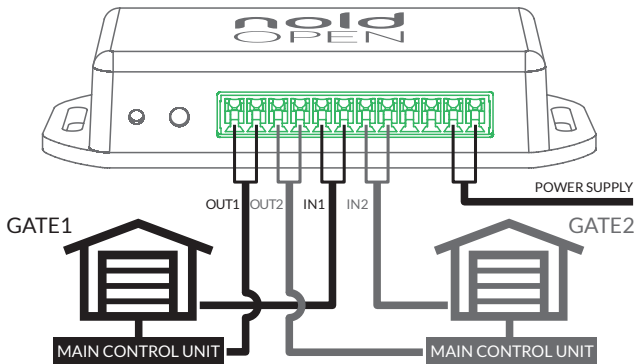


OUT1	First output of the device. Should be connected to the appropriate input of the main unit of the gate system (type: dry contact)
OUT2	Second output of the device. Should be connected to the appropriate input of the main unit of the gate system (type: dry contact)
IN1	First input of the device for detecting closed position of the controlled gate in association with OUT1 (type: dry contact) The usage of the input is optional, can be enabled/disabled in the application.
IN2	Second input of the device for detecting closed position of the controlled gate in association with OUT2 (type: dry contact) The usage of the input is optional, can be enabled/disabled in the application.
NC	Not connected. Reserved for future use.
PWR	Power supply input of the device (polarity independent, for more information please see the electrical specification of the device at the end of this document)

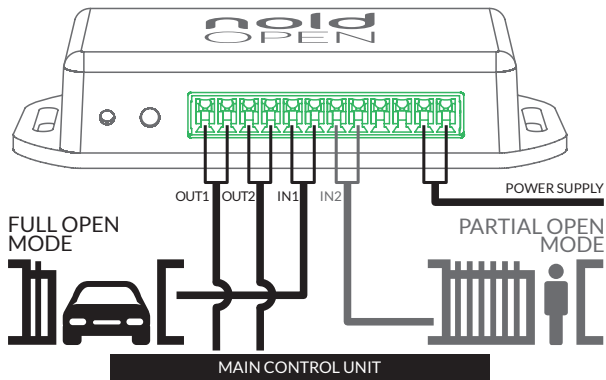
2 WIRE IT UP

Before installing Nold Open, please study the user guide of your main access control unit, with particular regard to the chapter on accessory connections, and compare it with this User Guide and the connection drawing therein.

OPTION 1 - TWO DIFFERENT GATES



OPTION 2 - TWO DIFFERENT MODES



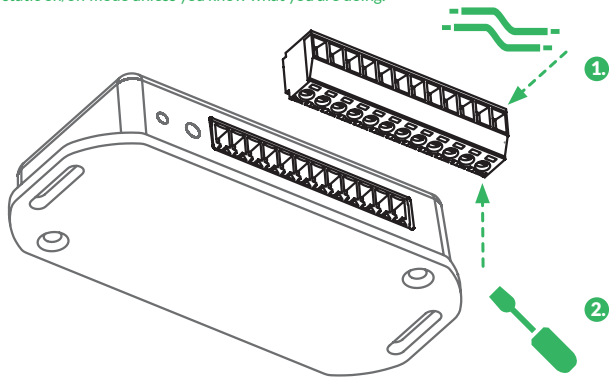
1. Put the wires of the gate opener into their places (connector)

The outputs of the device are dry contact relay outputs. The inputs can only be driven by dry contact outputs.

Each output and input reserves 2 pins in the connector of the device. Regarding the pinout of device please check the wiring diagram on pages 10-11.

The operation mode of the relay outputs can be configured in the application. Momentary pulse mode with adjustable pulse length or static on/off mode can be chosen.

NOTE: Most of the garage door/gate openers are compatible with the pulse mode only therefore it might be harmful for these devices to be used with on/off mode. Avoid switching to static on/off mode unless you know what you are doing.



2. Plug the connector into the Nold Open device

The Nold Open must be connected to the appropriate points according to the connection drawing, with the control panel de-energized.

3. Fasten the wires with a screwdriver

4. Mount Nold Open on the wall with 2 screws.

The device should be installed as close as possible to the entry zone and as far as possible from metallic elements as they negatively affect the transmission distance of Bluetooth® signals. The device can be used both indoors and outdoors. In case of outdoor use, the device must be fitted below a weatherproof protective cover. The device should be installed at a height of at least 1.5 metres above ground level.

For further information please visit
nold.io/help

3

GET THE APPLICATION

To be able to operate your Nold Open device, download the Nold app to your smartphone from the Apple App Store or Google Play Store. The app will guide you through creating your account, connecting and setting up your device.

NOTE: The product can only be operated by the Nold application. The manufacturer and distributor of Nold Open are not liable for any errors or damage by operation otherwise or by the use of any harmful code.

The Nold Open device is compatible with all mobile phones using iOS™ 9.0 (or newer), Android™ OS 5.0 (or newer) operating systems and having Bluetooth® 4.0 wireless technology.



Scan the QR code or visit nold.io/app

4

POWER ON THE DEVICE

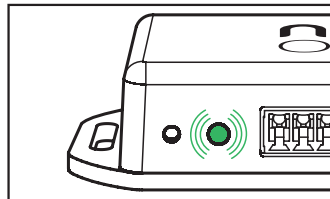
Make sure that the Nold Open device is powered on.
(The green light is on.)

The Nold Open power supply input is polarity-independent.

LED notifications

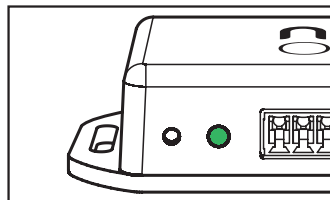
Pulsating green light

The device is powered up,
ready to use



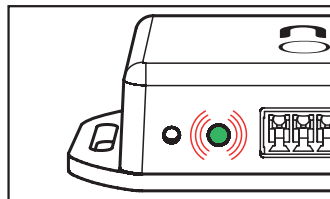
Solid green light

The device is connected
to a smartphone



Red light interrupts the solid green light

The device received command
from a smartphone



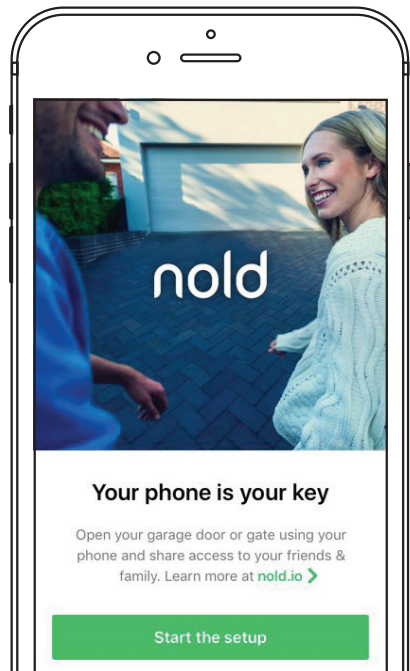
5

BLUETOOTH ON

Turn on Bluetooth on your phone.
Start the App and follow the instructions.

The two control outputs of Nold Open with all of its associated functionalities are mapped into virtual keys in the application. So the device can be controlled through these virtual keys. Virtual keys can be shared with other users.

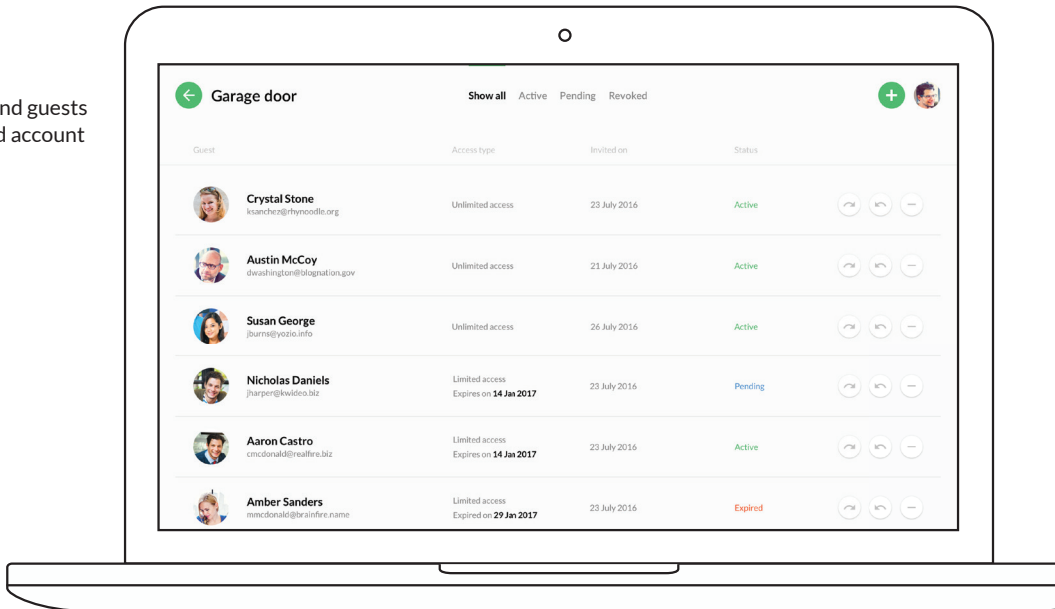
NOTE: Please do not share the virtual key with unauthorized persons. The manufacturer and distributor of Nold Open are not held liable for damage by shares to unauthorized persons.



6

USE NOLD CLOUD

To manage your devices and guests more easily, use your Nold account to login to cloud.nold.io



TECHNICAL PARAMETERS

Supply voltage: 8-32V DC, 6-24V AC

Operating temperature range: -40°C – +85°C

Max. current consumption (@24V): 75 mA

Number of switched output(s): 2

Output type: unfused relay contact (NO)

Max. load current on output(s): 1A@24V DC, 0.5A@125V AC

Max. switched voltage: 125V AC, 60V DC

Number of open detection inputs: 2

Input voltage short circuit protection: fuse (0.2A)

Size: 40x80x20 mm

Wireless communication protocol: Bluetooth 4.0 LE

RF carrier frequency: 2.4GHz

RF TX power: +4 dBm

Security

Communication between the Nold smartphone application and the device is encrypted. Strength of encryption is 128 bits.

iBeacon compatibility

Nold Open supports the Apple® iBeacon™ standard. When approaching the Nold Open device, notification of the application on the iOS™ operating system automatically appears on the display of your phone. To enable this function, go to Settings and choose automatic notifications of virtual keys.



Operational radius

Depending on the location and line of sight of the device, the operational distance of the integrated Bluetooth® radio can vary between 5 and 50 metres.

Areas of use of Nold Open


Nold Open can be preferably used together with the following access control solutions:

- Garage door and gate opener automatics control
- Industrial gate control
- Remote control of barrier and parking systems
- Automatic door control
- Electromagnetic lock systems control

- Accessory for admission systems
- Other: Nold Open can also be used for other connection tasks where power supply and operating conditions fit in the ranges indicated in the specifications.

General information

The Nold Open complies with applicable standards and normative documents and is equipped with the CE conformity marking. The full conformity declaration is available at the following website: nold.io/help

The sign  (crossed dustbin) means that within the European Union, the product must be thrown into a separate collector bin at the end of its life cycle. Please do not dispose of the product as household waste. The manufacturer undertakes to make available for buyers information on chemicals in the devices as required for regulatory compliance. This information is available at the following website: nold.io/help

All trademarks and markings indicated in this User Guide are exclusively owned by their proprietors.

The descriptions and illustrations in this User Guide are subject to change.

The manufacturer reserves the right to effect any modifications deemed to be required for the technical, manufacturing and commercial development of the product, while keeping the basic product features, and is allowed to do so at any time without modifying this documentation.

Please always use Nold Open with caution and keep safety in mind. Nold Open is not qualified as a security device and cannot protect your property, therefore the manufacturer and distributor of Nold Open are not responsible for any violation of protection of your personal assets.

The manufacturer and distributor of Nold Open are not held liable for any defects caused by use or operation other than specified in this User Guide, improper use, unprofessional installation, operation repair and transformation, unauthorized modifications or alterations, inadequate storage, external impacts, (e.g. overvoltage, lightning), environmental effects (chemical impacts, e.g. acid rain, scale, etc.), irregular environmental conditions (e.g. discoloration due to freezing or harmful solar radiation), disaster or otherwise not listed as above after purchase, and for any damage arising therefrom.

Unauthorized use of the Product or software can impair the Product's performance and may invalidate this Limited Warranty.

Share your experience with us



Send us an e-mail
info@nold.io



Find us on Facebook
fb.me/noldtech



Tweet [#noldopen](https://twitter.com/noldtech)
[@noldtech](https://twitter.com/noldtech)

nold.io